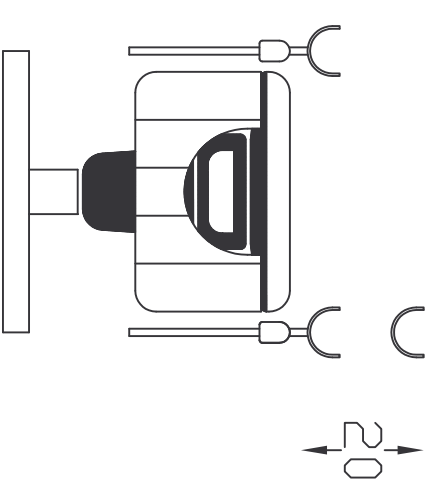
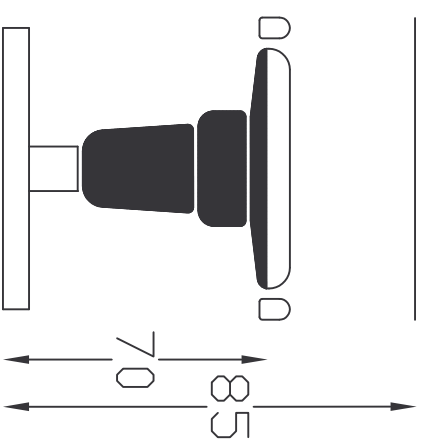
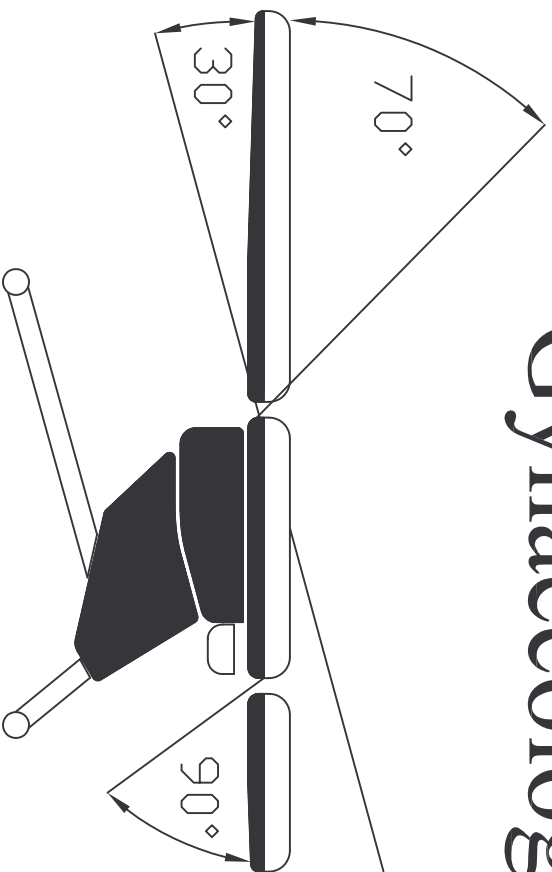


# Gynaecologic-Studioautomatic



156

55

44

76 48 32

80

88

